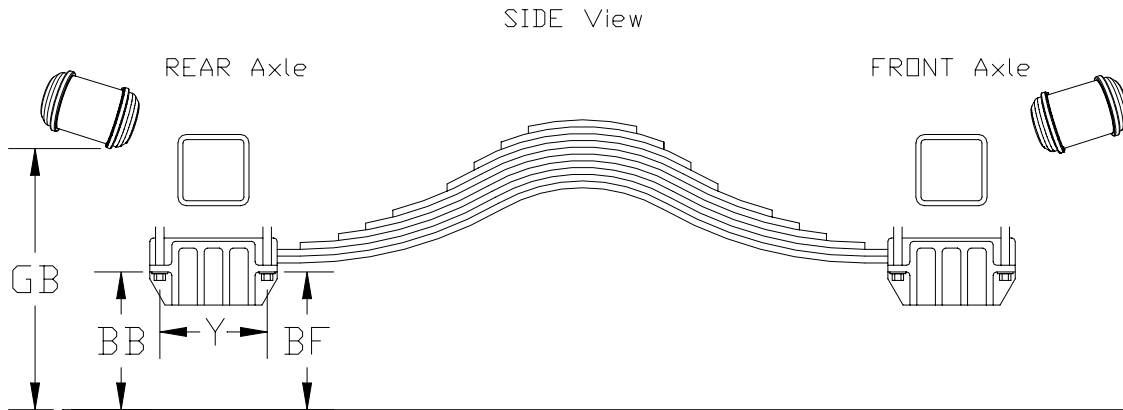


Onspots Mount behind the REAR Drive Axle  
Must have 26" of Clearance



BF = Distance from ground to where capscrew flat washer contacts spring box in front \_\_\_\_\_

BB = Distance from ground to where capscrew flat washer contacts spring box in rear \_\_\_\_\_

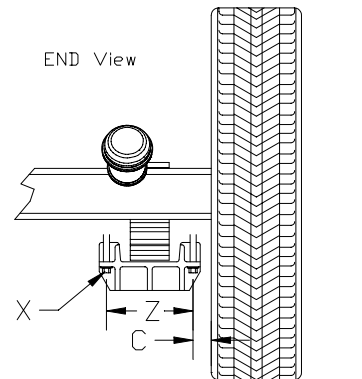
GB = Minimum distance from air brake chamber to ground \_\_\_\_\_

C = Distance from outside spring box capscrew to tire \_\_\_\_\_

X = Diameter and pitch of the spring box capscrews \_\_\_\_\_

Y = Center to center distance of the spring box capscrews front to rear \_\_\_\_\_

Z = Center to center distance of the spring box capscrews side to side \_\_\_\_\_



**QUESTIONS? 1-800-224-2467**  
**FAX COMPLETED FORM TO: 812-346-1819**  
**OR EMAIL TO: [service@onspot.com](mailto:service@onspot.com)**